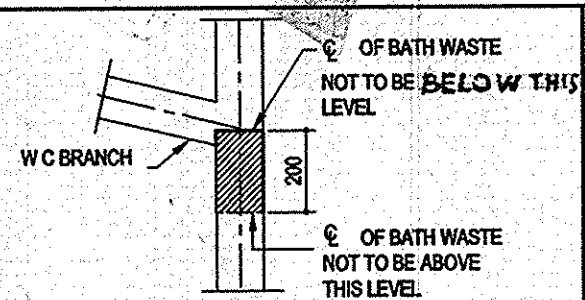
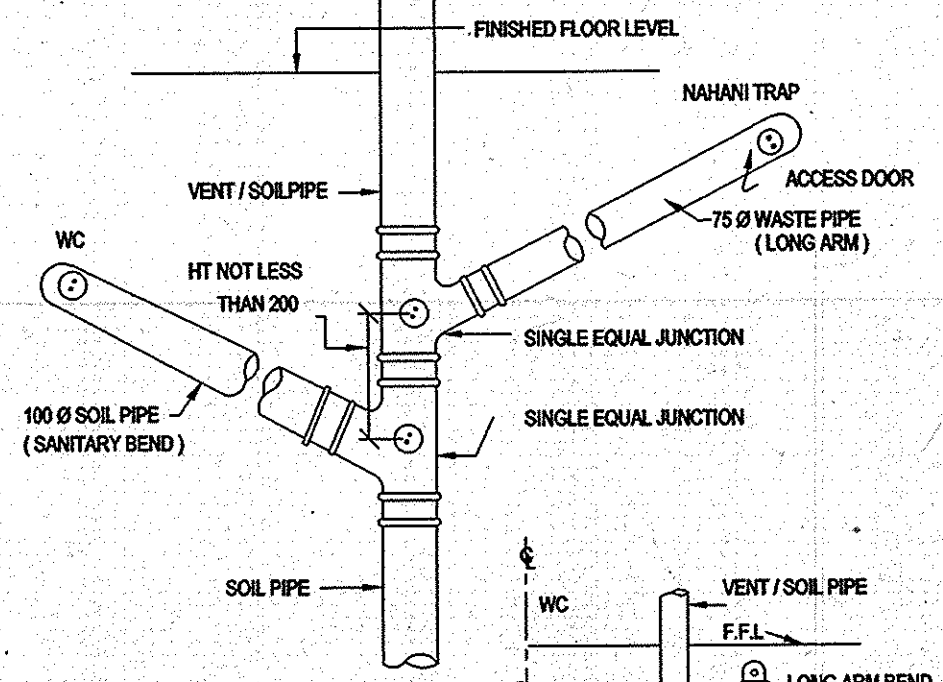


NOTES

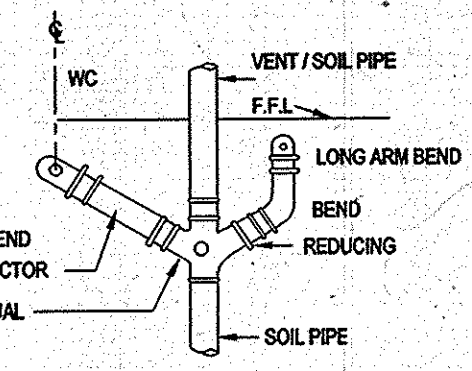
- 1 CONTRACTOR TO CHECK AND VERIFY ALL DIMENSIONS BEFORE EXECUTION OF THE WORK
- 2 FIGURED DIMENSIONS SHALL BE FOLLOWED
- 3 ALL DIMENSIONS ARE GIVEN IN MILLIMETERS UNLESS OTHERWISE STATED
- 4 FOR DETAILS OF WATER PROOFING TREATMENT REF. DRG. NO CEPZ / 91 / TD / 25 M SHT 1/1
- 5 SANITARY FITTING CONNECTION NOT COVERED IN THIS DRG. SHALL BE FOLLOWED AS PER I.S. 5329 - 1969



CONNECTION OF BATH WASTE TO STACK



ELEVATION



ELEVATION (ALTERNATIVE)

SINGLE STACK SYSTEM CONNECTIONS FROM WC PAN & N.T.

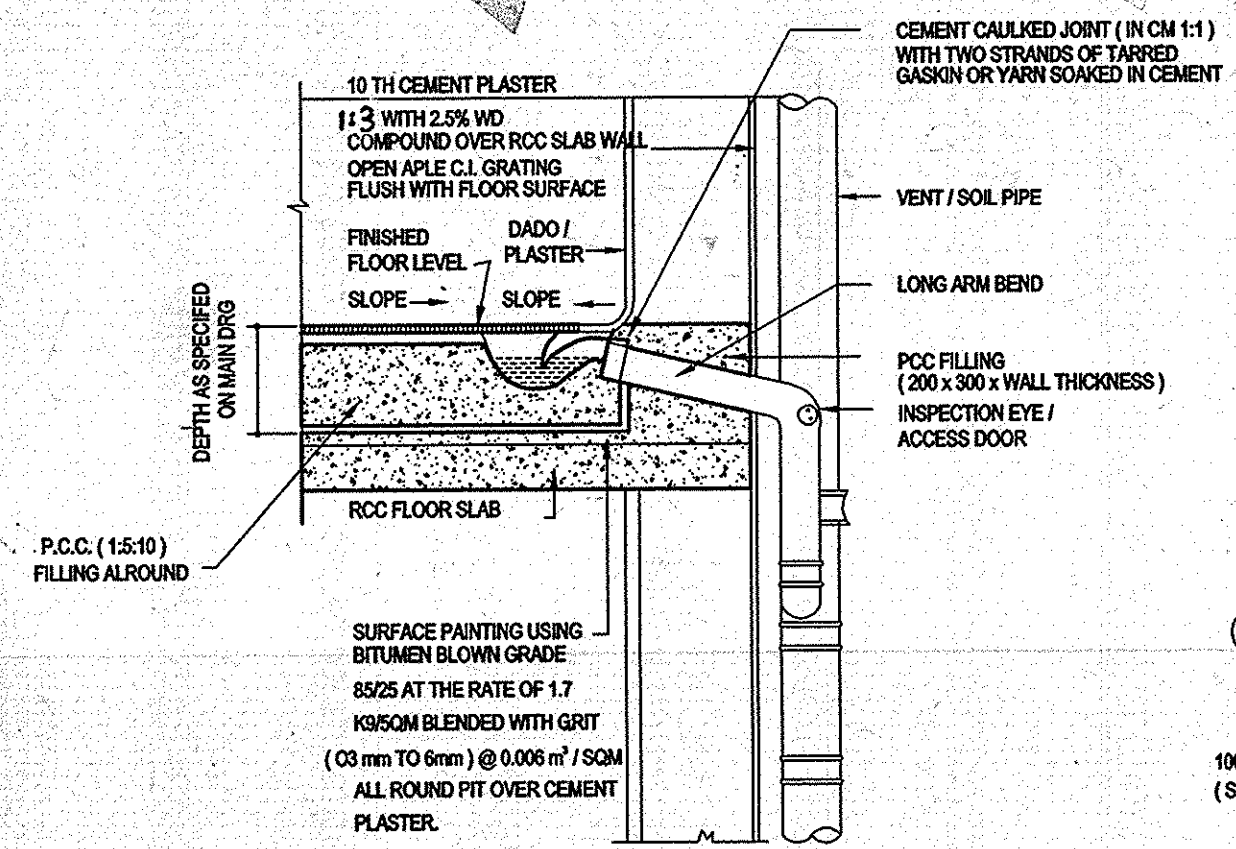
DRAWING COMPARED	
D. B. GAIKWAD	R. Ram Mohini
05/06/03	CHIEF D'MAN

SL	DESCRIPTION	DATE	INITIAL
REVISION			

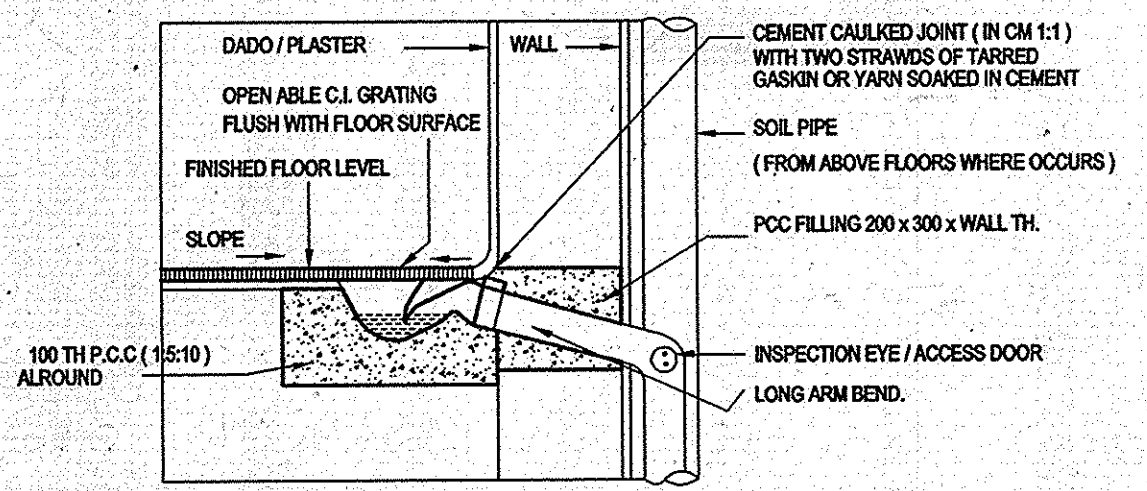
DETAILS OF NAHANI TRAP & PIPE CONNECTIONS

DRN	S. VELHU	CHIEF ENGINEER PUNE ZONE PUNE	DATE	1-10-88
TCD			SCALE	N/A
CKD				
CD				

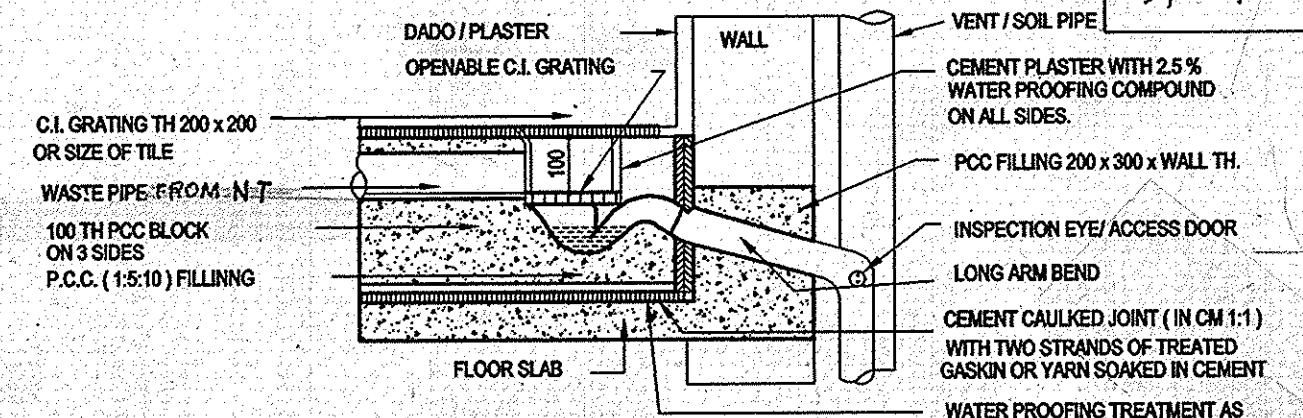
ASSTT. ARCHITECT	SD XXX ARCHITECT	SENIOR ARCHITECT FOR CEPZ PUNE.
------------------	---------------------	------------------------------------



DETAIL OF NAHANI TRAP AT FIRST FLOOR / SUBSEQUENT FLOORS ABOVE



DETAIL OF NAHANI TRAP GROUND FLOOR



DETAIL OF CONNECTION OF N.T. TO N.T. IN CASE OF FIRST FLOOR ABOVE

THIS DRAWING IS BASED ON CEPZ / 79 / TD / 9 SH 1/1 DT 20.7.79